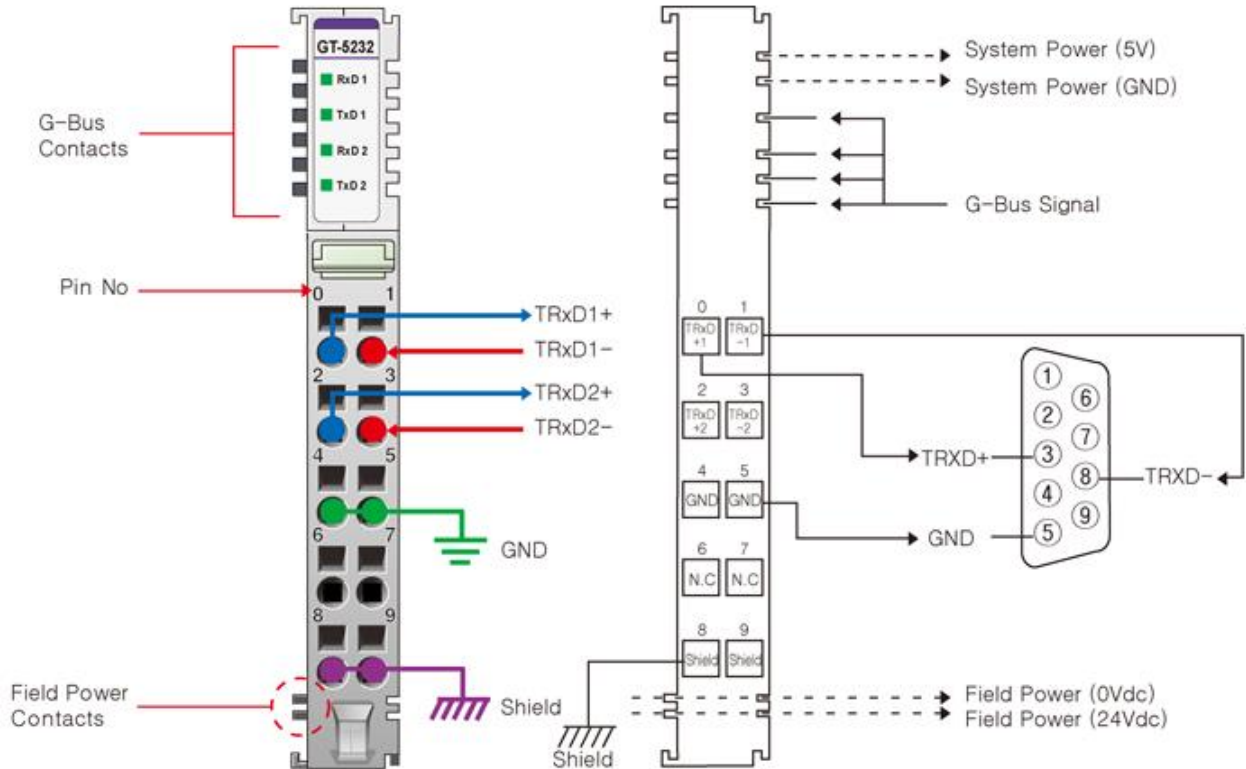


GT-5352

2Ch, Synchronous Serial Interface Module



GT-5352 (2 Channels Synchronous Serial Interface Module)

Number of Channel	2 Channel - Synchronous Serial Interface Module
Indicators	8 Green LEDs RUN0, RUN1, UP0, UP1, DOWN0, DOWN1, WARN0, WARN1
SSI Data Rate	Channel 0, 1 – 125K, 250K, 500K, 1M, 2M (default 250K)
SSI Data Width	Max. 30bit
SSI Data Delay Time	100usec ~ 10msec (default 200us)
SSI Output	C+, C- : Ch0,1 RS422 Differential Output
SSI Input	D+, D- : Ch0,1 RS422 Differential Input
SSI Data Code Type	Gray Code or Natural Binary
Receiver Common Mode Input Voltage (Data Input Voltage)	-7~7Vdc

Output Voltage

(Clock Output Voltage) -0.5~4.3Vdc

Special features Adjustable baud rate, delay and data length

General Specification

Power dissipation 60mA maximum @ 5.0Vdc

Isolation I/O to Logic: Photo coupler isolation

I/O to Field Power: Non-Isolation

Field Power Supply voltage: 24Vdc nominal

Voltage range:

70°C 18~26.4Vdc

60°C 18~32Vdc

Power Dissipation: Max. 30mA @ 24Vdc

Wiring I/O Cable Max. 2.0mm²(AWG 14)

Weight 60g

Module Size 12mm x 90.5mm x 65mm

Pin No.	Signal Description	Signal Description	Pin No.
0	Pulse Output + Ch# 0	Pulse Output - Ch# 0	1
2	Input Data + Ch# 0	Input Data - Ch# 0	3
4	Pulse Output + Ch# 1	Pulse Output - Ch# 1	5
6	Input Data + Ch# 1	Input Data - Ch# 1	7
8	Field Ground	Field Ground	9